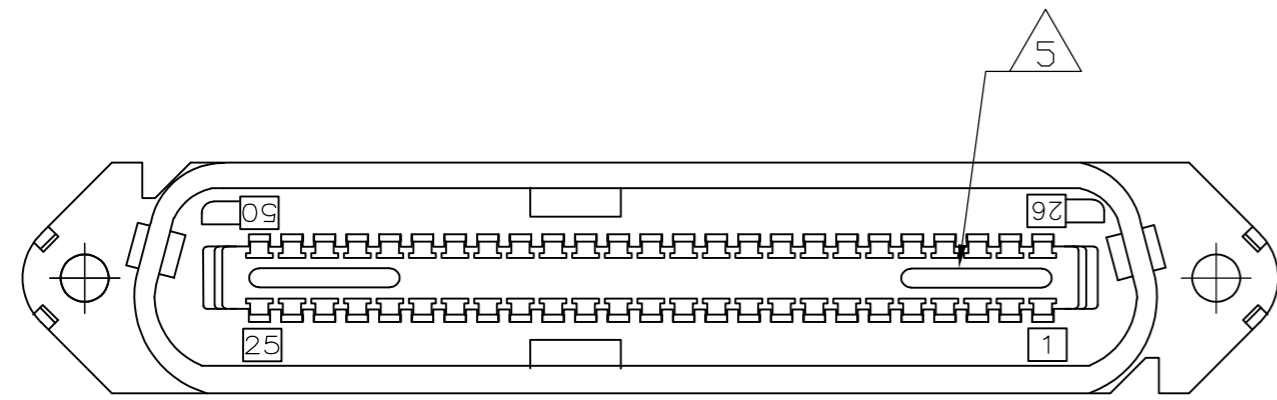


THIS DRAWING IS UNPUBLISHED. RELEASED FOR PUBLICATION
 © COPYRIGHT BY TYCO ELECTRONICS CORPORATION. ALL RIGHTS RESERVED.

LOC	DIST	REVISIONS			
P	LTR	DESCRIPTION	DATE	DWN	APVD
GP	00	B	REVISED PER ECO-08-007327	02OCT08	BM WM

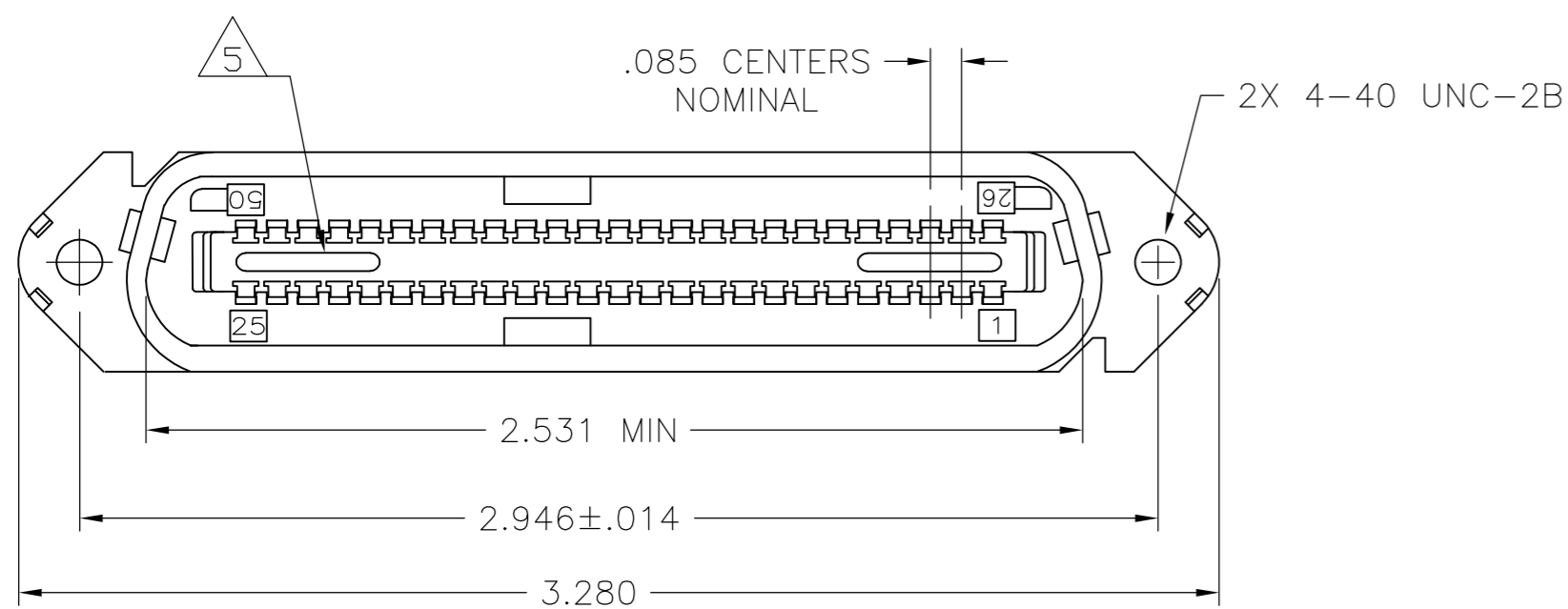
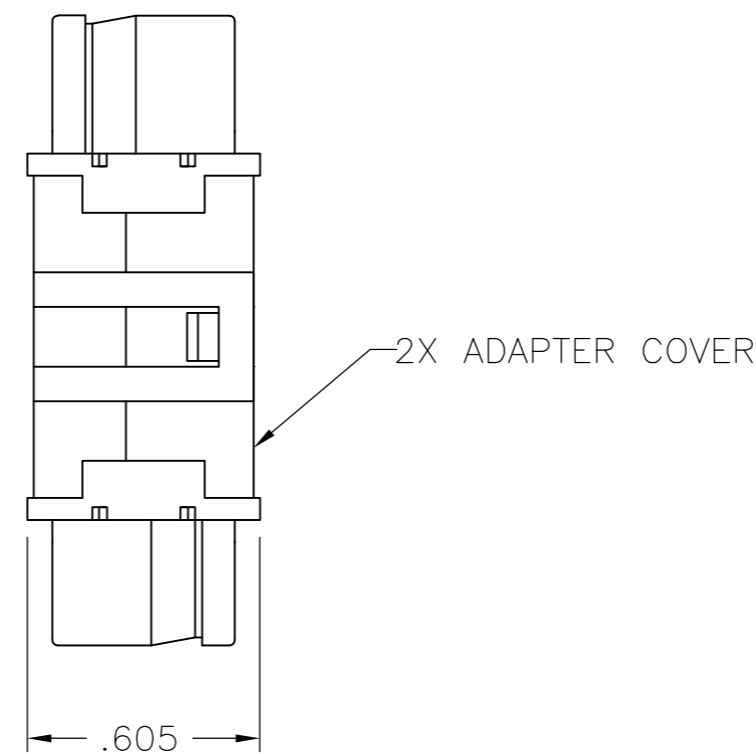
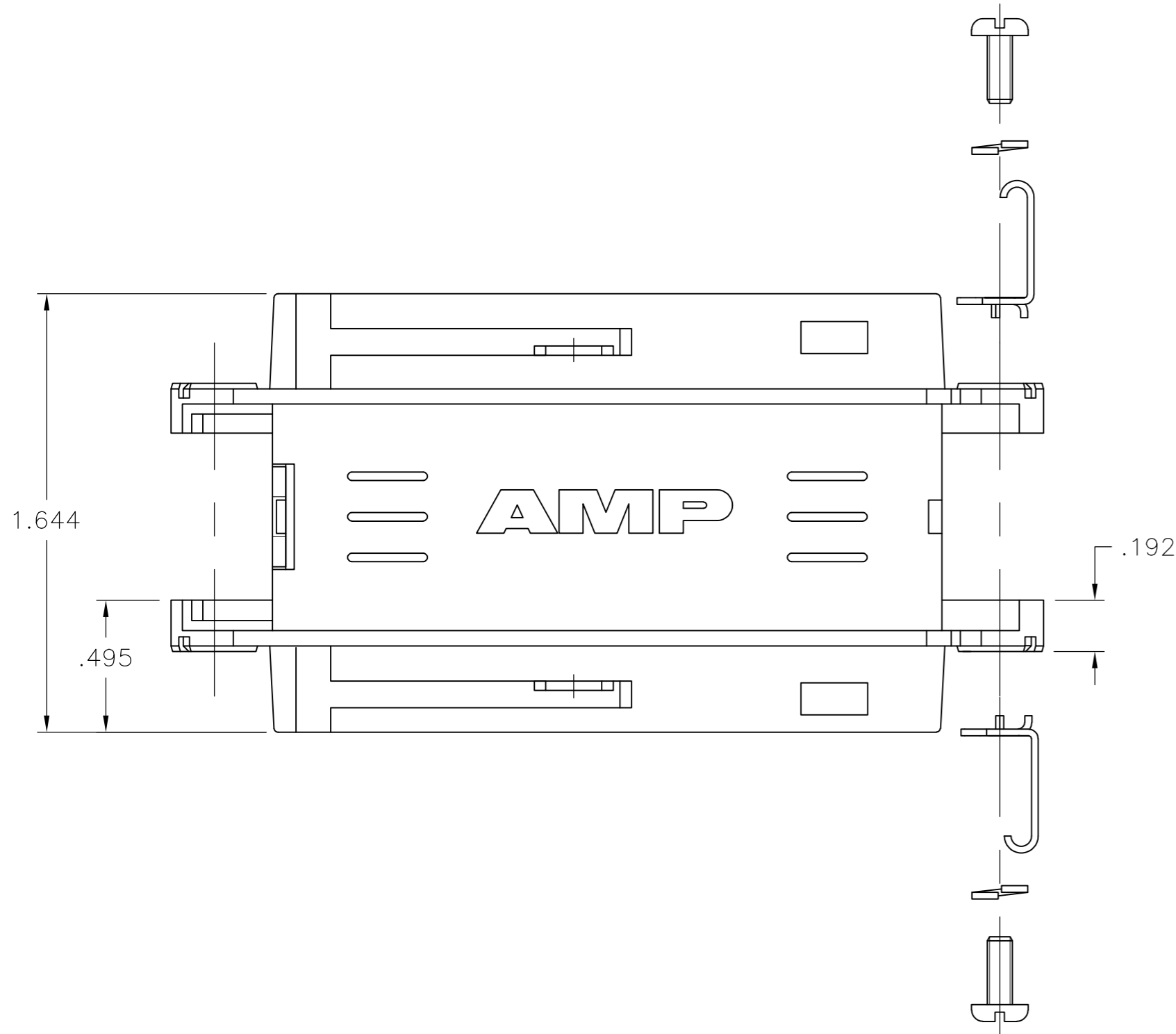


1. LIKE NUMBERED CONTACTS ON BOTH CONNECTORS ARE ELECTRICALLY COMMON.
2. THE CONTACT SURFACES OF THE TERMINALS ARE COATED WITH LUBRICANT.

3 MATERIAL:
 HOUSING & COVERS: POLYOHENYLENE, BLACK.
 TERMINAL - HIGH STRENGTH COPPER ALLOY PLATED WITH EITHER
 .000030 MIN GOLD OR GOLD FLASH OVER PALLADIUM NICKEL PLATE,
 .000030 MIN TOTAL ON MATING SURFACE. .000050 MIN NICKEL
 UNDERPLATE OVER ENTIRE TERMINAL.
 HARDWARE; ZINC PLATED STEEL.

4 ALL DIMENSIONS ARE MAXIMUM UNLESS OTHERWISE SPECIFIED.

5 CORING MAY OR MAY NOT APPEAR AND IS AT THE DISCRETION OF AMP.



PACKAGING	DESCRIPTION	PART NUMBER
ONE KIT PER POLY BAG	WITHOUT J HOOK AND HARDWARE	5554876-2
ONE KIT PER POLY BAG	WITH J HOOK AND HARDWARE	5554876-1

THIS DRAWING IS A CONTROLLED DOCUMENT.		DWN B. MCMASTER 26OCT05	Tyco Electronics Corporation Harrisburg, PA 17105-3608	
DIMENSIONS: INCHES		CHK W. MILLHIMES 26OCT05		
TOLERANCES UNLESS OTHERWISE SPECIFIED:		APVD W. MILLHIMES 26OCT05	NAME	
0 PLC ± -		PRODUCT SPEC	PLUG KIT, GENDER MENDER, 50 POSN, WITH & WITHOUT J HOOK HDW, CHAMP-LOK	
1 PLC ± -		APPLICATION SPEC	SIZE CAGE CODE DRAWING NO RESTRICTED TO	
2 PLC ± -		WEIGHT	A2 00779 C=5554876	
3 PLC ± -		CUSTOMER DRAWING	SCALE 2:1 SHEET 1 of 1 REV B	
4 PLC ± -				
ANGLES ± -				
FINISH				